

# H8H



- Nickel plated alloy steel IP67 shear beam load cell
- Suitable for floor and hopper scales
- Suitable for hazardous locations

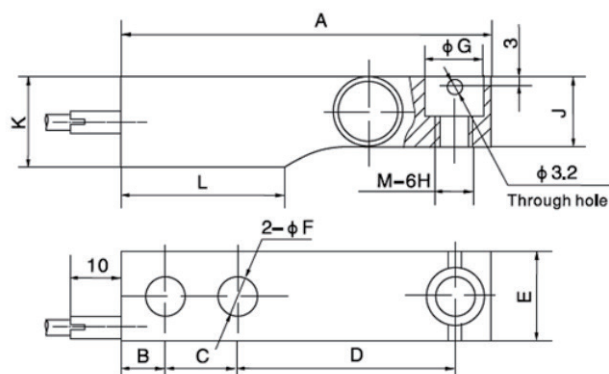
## Available models

Capacity	Accuracy	Full article description
250 kg	C3	H8H-C3-250kg-4B
500 kg	C3	H8H-C3-500kg-4B
1t	C3	H8H-C3-1t-4B
2t	C3	H8H-C3-2t-4B
5t	C3	H8H-C3-5t-4B

## Specification

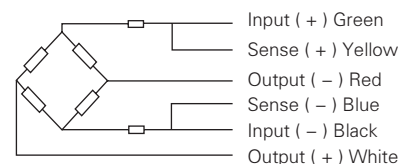
Accuracy class		C3
Output sensitivity ( = FS )	mV/V	2.0 ± 0.004
Maximum capacity ( E <sub>max</sub> )	t	0.25, 0.5, 1, 2, 5
Maximum number of load cell intervals ( nLC )		3000
Ratio of minimum LC verification interval $Y = E_{max} / v_{min}$		10000
Combined error	%FS	± 0.020
Minimum dead load	of E <sub>max</sub>	0%
Safe overload	of E <sub>max</sub>	150 %
Ultimate overload	of E <sub>max</sub>	300 %
Zero balance	%FS	± 1.0
Excitation, recommended voltage	V	5 ~ 12( DC )
Excitation maximum	V	18( DC )
Input resistance	Ω	350 ± 3.5
Output resistance	Ω	350 ± 3.5
Insulation resistance	MΩ	≥ 5000 ( 50VDC )
Compensated temperature	°C	-10 ~ +40
Operating temperature	°C	-35 ~ +65
Storage temperature	°C	-40 ~ +70
Element material		Nickel plated alloy steel
Ingress protection (acc. To EN 60529)		IP67
Recommended torque on fixation	N.m	M12: 75 M20:450
ATEX classification (optional)		I1G Ex ia IIC T4   I1D Ex iaD 20 T73°C   I13G Ex nL IIC T4

## Dimensions in mm



Dimension Capacity	A	B	C	D	E	F	G	H	J	K	L
250 kg	130.0 (5.12)	15.5 (0.62)	25.4 (1.0)	76.2 (3.0)	31.8 (1.5)	13 (0.51)	20.5 (0.81)	14.2 (0.55)	25.5 (1.00)	31.8 (1.24)	57.1 (2.25)
500 kg	130.0 (5.12)	15.5 (0.62)	25.4 (1.0)	76.2 (3.0)	31.8 (1.5)	13 (0.51)	20.5 (0.81)	14.2 (0.55)	26 (1.02)	31.8 (1.24)	57.1 (2.25)
1t	130.0 (5.12)	15.5 (0.62)	25.4 (1.0)	76.2 (3.0)	31.8 (1.5)	13 (0.51)	20.5 (0.81)	14.2 (0.55)	28 (1.10)	31.8 (1.24)	57.1 (2.25)
2t	130.0 (5.12)	15.5 (0.62)	25.4 (1.0)	76.2 (3.0)	31.8 (1.5)	13 (0.51)	20.5 (0.81)	14.2 (0.55)	32 (1.26)	35.9 (1.41)	57.1 (2.25)
5t	172 (6.77)	19.1 (0.75)	38.1 (1.5)	95.3 (3.75)	38 (1.48)	20.5 (0.81)	30.2 (1.19)	20 (0.78)	40 (1.57)	44 (1.72)	76.2 (3.0)

## Wiring



- Shielded, 6 conductor cable.
- Cable diameter:  $\Phi 6.2$ mm.
- Standard cable length: 6.5m.
- Shield not connected to element.